

# Multi-spectral PTZ Camera

## PC6S4



### Product Feature

- Clearer imaging with the latest 12 $\mu$ m uncooled infrared detector and leading infrared image algorithm.
- Visual and thermal dual-spectral and 1.3MP high-definition imaging to satisfy 24/7 security monitoring.
- Support 25~225mm continuous zoom infrared lens to satisfy long-distance detection
- Support intelligent behavior analysis, such as tripwire detection and region intrusion detection.
- Support intelligent smoke and fire detection and infrared video analysis to meet the requirement of forest fire prevention and intelligent firefighting.
- Integrated with high-speed and high-accuracy Pan/Tilt, encapsulation rating IP66
- Support ONVIF standard protocols, provide SDK, matched NVR and software

## Product Specifications

Technical Index		Multi-spectral PTZ Camera
Thermal	Sensor Type	VOx uncooled FPA detector
	Spectral Range	8~14μm
	NETD	≤40mK(@25°C,F#1.0,25Hz)
	Max. Resolution	1280×1024
	Pixel Pitch	12μm
	Focal Length	25~225mm
	Focus Mode	Auto/Manual/One-shot Auto
	FOV	34.2°×27.6°~3.9°×3.1°
	F#	F1.09~F1.5
	Spatial Resolution	0.053~0.480mrad
	Color Palettes	20 kinds selectable such as Blackhot/Whitehot/Rainbow,etc.
Visible	Image sensor	1/1.8inch 4MP CMOS
	Max. Resolution	2688×1520
	Focal Length	15~775mm
	Focus Mode	Auto / Manual / One-shot auto
	FOV	29.1°×16.7°~0.5°×0.3°
	WDR	Support
	Day /Night	Manual/Auto
	Defog	Support optical defog
PTZ	Pan Range	360° continuous
	Pan Speed	0.01°~120°/s
	Tilt Range	-90°~+90°
	Tilt Speed	0.01°~60°/s
	Scan Mode	Preset/Tour/Patrol Scan/Linear Scan/Pattern Scan
Network	Protocols	TCP/IP,UDP,ICMP,HTTP,HTTPS,FTP,DHCP,DNS,RT P,RTSP,RTCP, IGMP,SMTP, NTP, QoS
	Interoperability	ONVIF/SDK
	Simultaneous live view	Up to 20 channels
	User Management	Up to 20 users, 2 levels: Administrator and User
	Browser	Supports IE, Edge, Google Chrome, Mozilla Firefox, and other browsers
Video	Max. Resolution	2688×1520(visible), 1280×1024 (thermal)
	Image Encoding Format	JPEG

Technical Index		Multi-spectral PTZ Camera
	Audio Compression	G.711A/G.711Mu/PCM/AAC/MPEG2-Layer2
	Video Compression	H.264/H.265/MJPEG
	Main Stream	Visible: 50Hz:25fps(2688×1520,1920×1080,1280×720) 60Hz:30fps(2688×1520,1920×1080,1280×720) Thermal: 50Hz:25fps(1280×1024,1280×720,1024×768)
	Sub Stream	Visible: 50Hz:25fps(1920×1080,1280×720,704×576,352×288) 60Hz:30fps(1920×1080,1280×720,704×480,352×240) Thermal: 50Hz:25fps(640×512,384×288)
Smart Function	Fire Detection	Support
	Zoom Linkage	Support
	Smart Record	Alarm trigger recording, disconnection trigger recording (continue transmission after connection)
	Smart Alarm	Support alarm trigger of network disconnection, IP address conflict, SD card full, SD card error, illegal access, abnormal detection
	Smart Detecting	Support smart video analysis such as tripwire, cross-border, and region intrusion
	Alarm Linkage	Recording/Snapshot/E-mail/PTZ linkage/Alarm output
System Interface	Power Supply	DC 48V±15%
	Communication Interface	RJ45 self-adaptive 10M / 100M Ethernet port
	Audio Interface	1 channel input, 1 channel output
	Alarm Interface	7-channel input, 2-channel output
	Storage Interface	Support Micro SD card (Max. 256G)
	Control Interface	1-channel RS485
General	Operating Conditions	-40℃~+70℃; <90%RH
	Protection Grade	IP66, TVS 6000V Lightning Protection, Surge Protection and Voltage Transient Protection
	Power Consumption	Max.200W
	Dimension	598mm×738mm×468mm(W×H×L)
	Weight	74KG

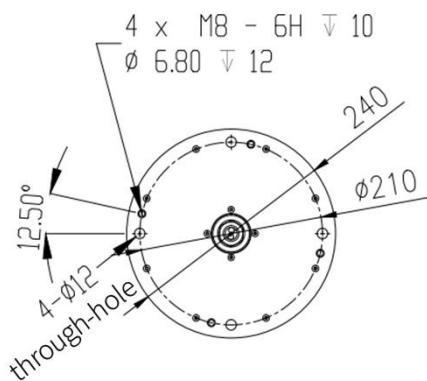
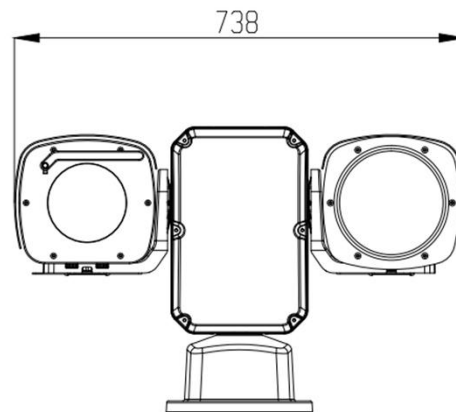
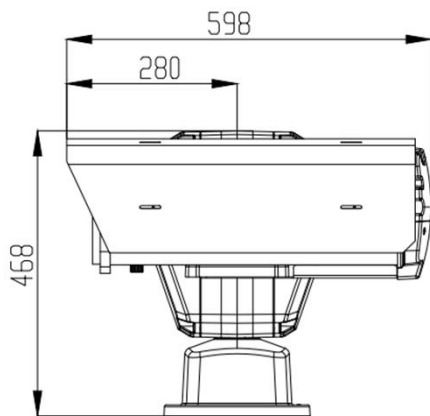
## Effective Range

The recommended distance of detection, recognition and identification for human (1.8×0.5m) and vehicle (1.4×4.0m) are as follows:

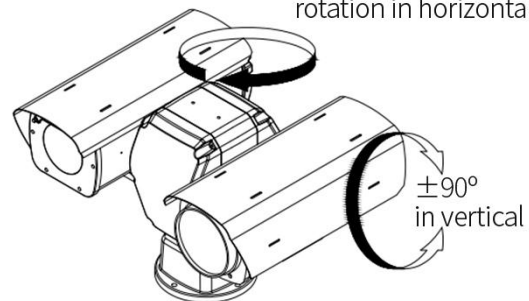
- DD stands for Detection Distance;
- RD stands for Recognition Distance;
- ID stands for Identification Distance;

Lens	DD (Vehicle)	DD (Man)	RD (Vehicle)	RD (Man)	ID (Vehicle)	ID (Man)
225mm	28.8km	9.4km	7.2km	2.3km	3.6km	1.2km

## Structural Drawings



360° continuous rotation in horizontal



470mm: PTZ turning radius is about 470mm

This datasheet is subject to change without prior notice. Please contact us to get the latest datasheet.